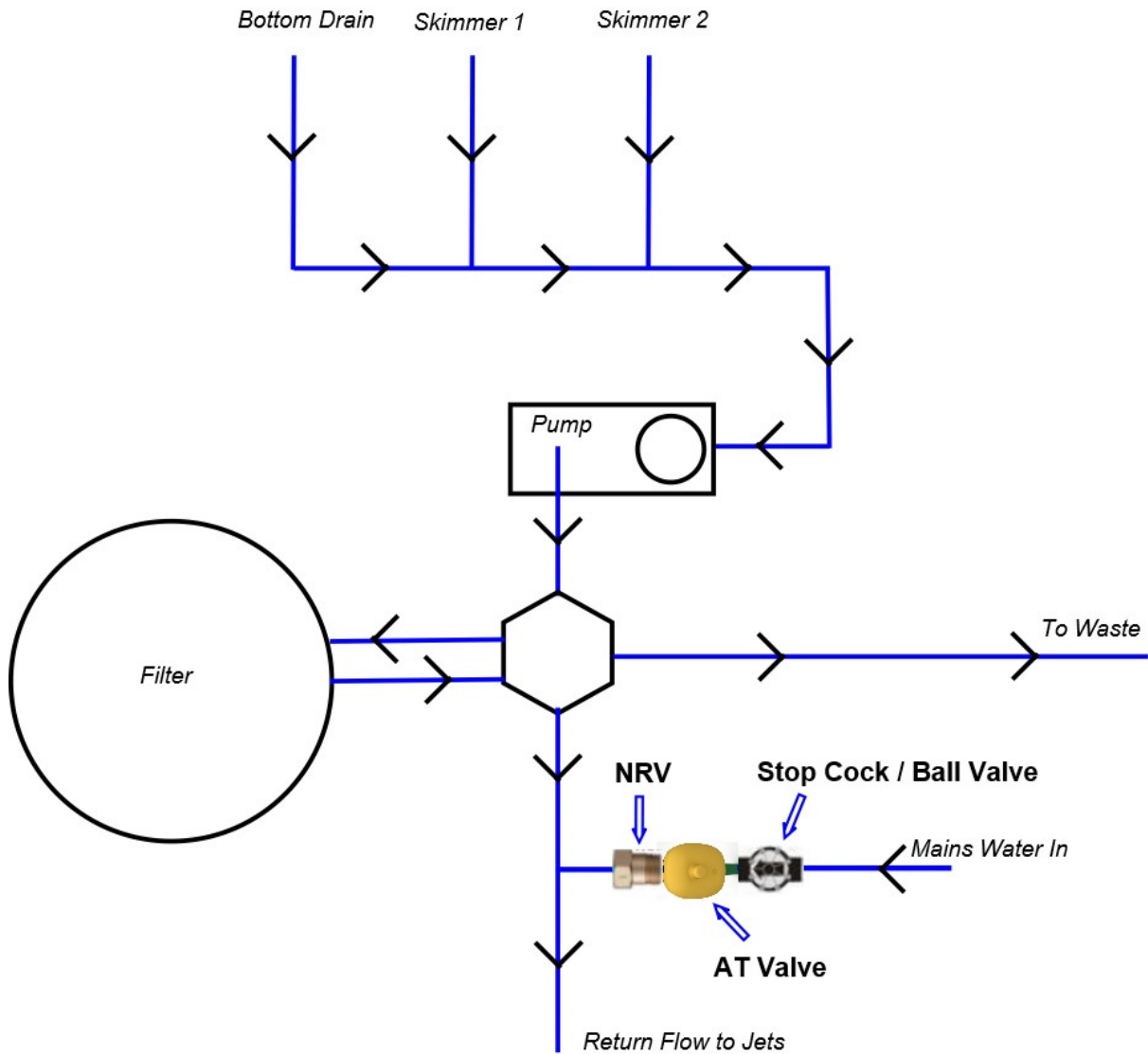
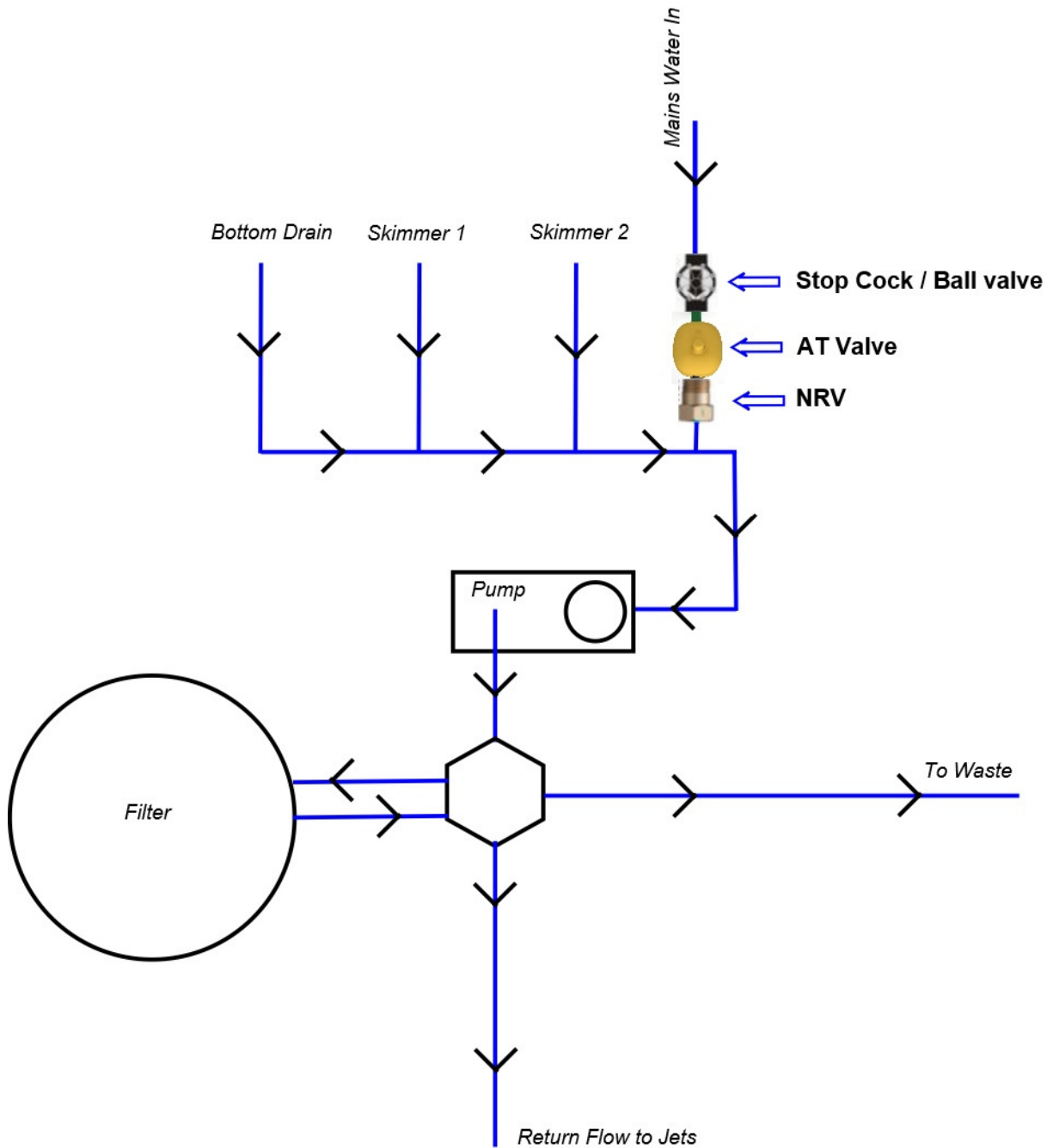


Schematic with top up though Jets



Schematic with top up through Skimmers





Schematic with top up though Vacuum Line

